



GN 1/1



Insulated container with front opening for the transport of products at controlled temperature

- Brand: MELFORM
- Country of origin: ITALY
- Customs code: 39231090
- Compatible with food contact
- Color: grey/blue
- Capacity: 90 liters.
- Technology: rotomoulding
- Warranty: 24 months
- Fully recyclable at the end of its operational life.
- Stackable and easy to handle

MANUFACTURING MATERIALS


Polyethylene	inner and outer walls of the container and door; suitable for food contact	Polyurethane	insulating material between the walls of the container and the door; CFC and HCFC free
Silicone rubber	gasket	Glass fiber reinforced polyamide	hinges, closures
Stainless steel	gripping handles		

Model	Code	EAN code	Ext. dim. (mm)	Int. dim. (mm)	Capacity (liters)	Weight (kg)
AF12	AF12H006	8022949060787	440x665xh650	330x533xh515	90	16,5

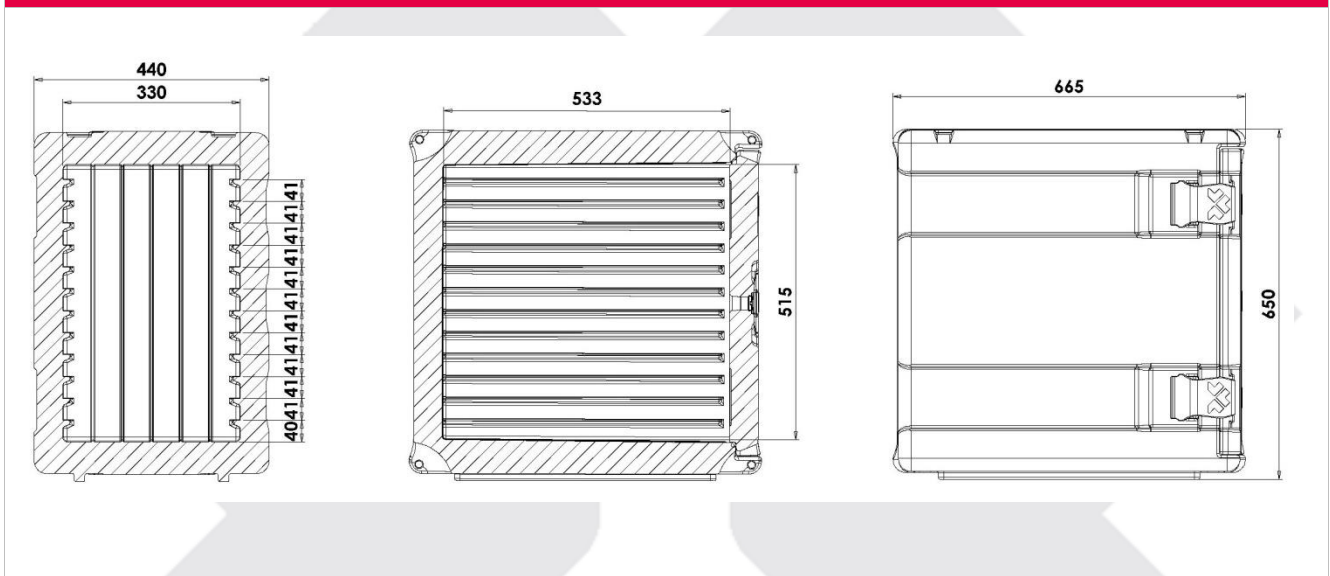
PRODUCT FEATURES

	<p>Equipped with 12 runners at constant pitch (see dimensional diagram).</p>		<p>It can carry:</p> <ul style="list-style-type: none"> • 1 eutectic plate + 2 GN 1/1 h 200 • 4 GN 1/1 h 100; • 3 GN 1/1 h 150; • 6 GN 1/1 h 65.
	<p>Equipped with a door that opens to 240° and is easily removable to simplify cleaning and maintenance operations.</p>		<p>Easily dismantled door sealing gasket.</p>
	<p>Available (on request) heating door, in analog or digital version. Power supply: 230Vac – 110Vac</p>		<p>Eutectic plates:</p> <ul style="list-style-type: none"> • warm (red) • fresh (pink) • frozen (blue) • frozen plus (green) <p>to increase thermal maintenance performance</p>
	<p>Adjustable vent valve.</p>		<p>Stainless steel grip handles integrated in the body.</p>
	<p>Closing hooks in shockproof material.</p>		<p>Provided with zippers made of shockproof material and resistant to stress.</p>

PRODUCT FEATURES

	<p>Handling trolley:</p> <ul style="list-style-type: none"> • capacity 150 Kg; • 4 non-marking rubber wheels and PP core; • diam wheels: 125 mm; • 2 fixed wheels; • 2 swivel wheels, 1 of which with brake. 		<p>Stainless steel fixing kit: 2 closures for fixing the trolley 4 closures for fixing modular system + trolley</p>
	<p>Available (on request) USB datalogger to record temperature during transport.</p>	<p>°C</p>	<p>Container granted for use from -30° C to +100°C.</p>

TECHNICAL DATA (mm)



MODULAR SYSTEM

Designed to meet various logistical needs, the **AF12 isothermal container is stackable and modular** ensuring maximum efficiency in both storage and transport.

Main features:

- **Total capacity (two cells)** : 180 Kg.
- **Stackable design** to optimize space and organization during transport and storage
- **Modularity for transport at different temperatures** :
 - *Fresh bond* : using two passive containers
 - *Hot/Cool* : Combination of a passive container with a heating one
 - *Flexible configurations* adaptable to specific transport needs
- **Double cell with advanced thermal insulation** :
It allows the simultaneous transport of **hot, fresh or frozen products**, ensuring thermal separation between the different temperatures
- **Ease of movement thanks to the dedicated trolley** , which ensures easy movement even when fully loaded

ACCESSORIES				
Model	Code	Color	Ext. dim. (mm)	Weight (kg)
Heating digital door 230V a.c.	3B3M0016	red	440x110xh570	5,2
Heating analog door 230V a.c.	3B3M0018	red	440x110xh570	5,2
Heating digital door 110V a.c.	3B3M0022	red	440x110xh570	5,2
Heating analog door 230V a.c.	3B3M0023	red	440x110xh570	5 ,2
Eutectic plate Hot +70°C	PEGS0003	red	GN 1/1	3
Eutectic plate Fresh +3°C	PEGS0001	rose	GN 1/1	4
Eutectic plate Frozen -21°C	PEGS0002	blue	GN 1/1	4
Eutectic plate Frozen plus -21°C	PEGS9008	green	530x325xh30	4
Trolley for AF12	THS20009	grey/blue	505x685xh205	6,4
Stainless steel grid	AEA020	stainless steel	GN 1/1	1,3
Modular or trolley stainless steel fixing kit	RRI137	stainless steel		1,2
USB Data logger -30°C +70°C	AFG007		80x33xh14	
Cigarette lighter socket 12V inverter	AHD001			