



Isothermal container for the transport and distribution of liquids at controlled temperature

- Brand: MELFORM
- Country of origin: ITALY
- Code customs : 39231090
- Compatible with food contact
- Color: Gray/Blue, Red, Blue
- Capacity : 4.3 litres .
- Technology: roto moulding
- Warranty: 24 months
- Fully recyclable at end of operating life.
- Stackable and easy moveable

MANUFACTURING MATERIALS

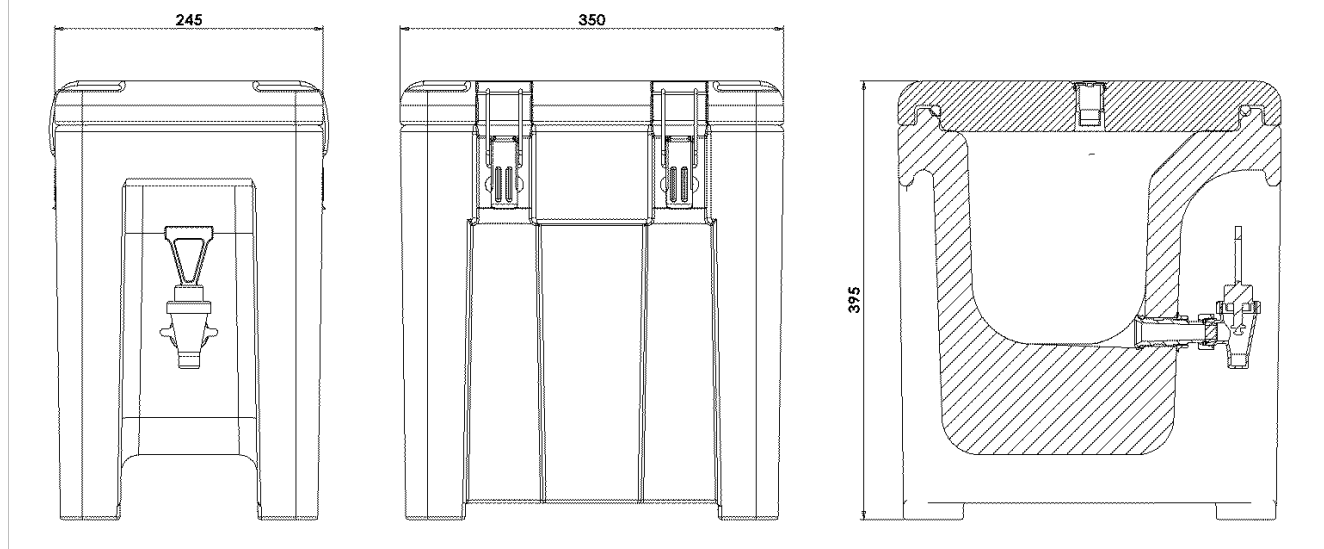
Polyethylene	internal and external walls of the container and lid; suitable for food contact	Polyurethane	insulating material between the walls of the container and the lid; free of CFCs and HCFCs
Eraser silicone	gasket	Polyamide and Polypropylene	faucet
Stainless steel	closures		

Model	Code	EAN code	External dimensions (mm)	Internal dimensions (mm)	Capacity (the)	Weight (Kg)
QC5 grey/blue	QC050011	8022949006150	245x350x395		4.3	5
QC5 blue	QC050001	8022949006068				
QC5 red	QC050007	8022949006112				

PRODUCT FEATURES

	<p>Space under the tap suitable for easily filling cups or bowls with maximum dimensions of 120 mm in diameter; height 115 mm.</p>		<p>Version with extended tap for serving cups and glasses with a diameter greater than 120mm</p>
	<p>Version with cap for serving soups and sauces</p>		<p>Wide top opening for easy filling.</p>
	<p>Stainless steel locking hooks.</p>		<p>Adjustable vent valve.</p>
	<p>Monoblock structure, without edges, joints and welds.</p>		<p>Easily removable lid seal.</p>
	<p>Insulation with CFC and HCFC-free polyurethane foam.</p>	<p>°C</p>	<p>Container guaranteed for use: from -30°C to +85°C .</p>

TECHNICAL DATA (mm)



ACCESSORIES

Model	Code
Extended tap kit for serving cups and glasses	RRI175
Cap kit for serving soups and sauces (2 pcs/kit)	RRI018