



## Insulated container for the transport and distribution of liquids at controlled temperature

- Brand: MELFORM
- Country of origin: ITALY
- Customs code: 39231090
- Compatible with food contact
- Capacity: 25 liters.
- Technology: rotational
- Warranty: 24 months
- Extremely **robust and durable**, designed for very intensive use
- Equipped with 5 integrated grip handles that allow transport in two positions: vertically or horizontally
- Fully recyclable at the end of its operational life.

### MANUFACTURING MATERIALS

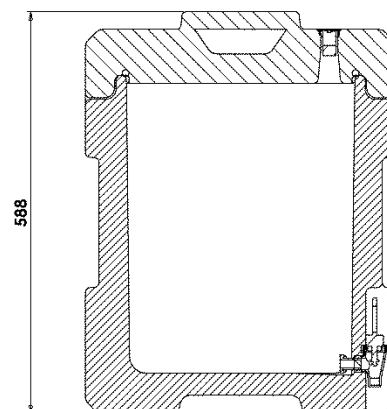
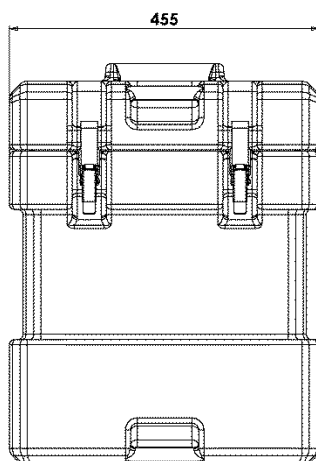
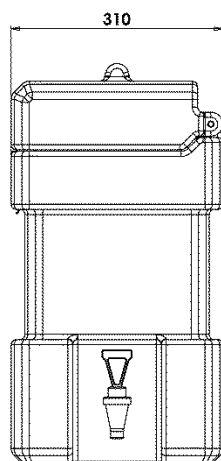
Polyethylene	inner and outer walls of the container and lid; suitable for food contact	Polyurethane	insulating material between the walls of the container and the lid; CFC and HCFC free
Silicone rubber	Gasket	Polyamide and Polypropylene	tap
Stainless steel	Closures		

Model	Code	EAN code	Ext. Dim. (mm)	Capacity (l)	Weight (Kg)
QC25 military green	QC250015	8022949227043	310x455xh588	25	8,5

## PRODUCT FEATURES

	<p>Built-in tap, for greater protection during travel.</p>		<p>Version with plug kit for serving soups and sauces</p>
	<p>Easily removable lid seal.</p>		<p>Lid firmly hinged to the body.</p>
	<p>Effective and resistant closure system, with the possibility of affixing a seal, to ensure greater safety of the food transported</p>		<p>Adjustable vent valve.</p>
	<p>Monobloc structure, without edges, joints and welding.</p>		<p>Insulation with CFC and HCFC-free polyurethane foam.</p>
<p>°C</p>	<p>Guaranteed container for use: <b>from -30°C to +85°C.</b></p>		

## TECHNICAL DATA (mm)



## ACCESSORIES

**Model**

**Code**

Plug kit for soups and sauces (2 pcs/kit)

RRI091