



Insulated container for the transport and distribution of liquids at controlled temperature

- Brand: MELFORM
- Country of origin: ITALY
- Customs code: 39231090
- Compatible with food contact
- Color: grey/blue, red. blue
- Capacity: 19 liters.
- Technology: rotomoulding
- Warranty: 24 months
- Fully recyclable at the end of its operational life.
- Stackable and easy to handle

MANUFACTURING MATERIALS

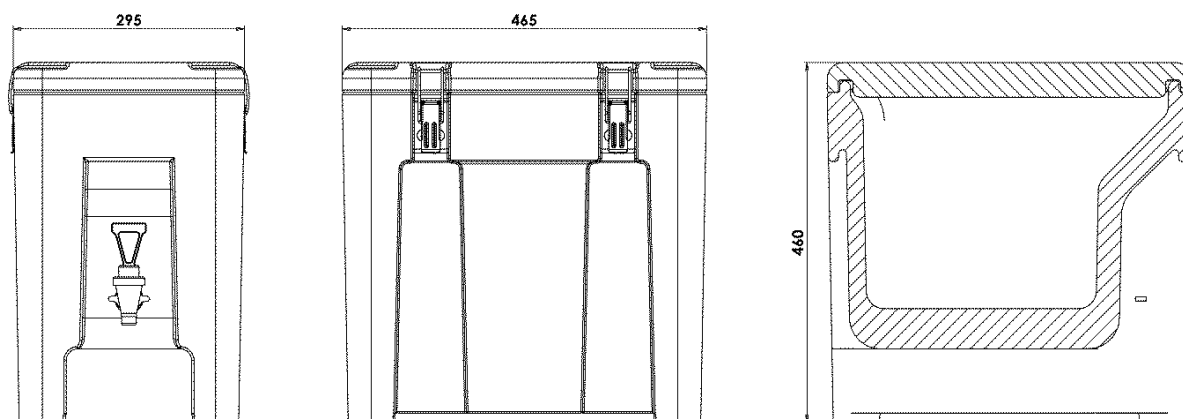
Polyethylene	inner and outer walls of the container and lid; suitable for food contact	Polyurethane	insulating material between the walls of the container and the lid; CFC and HCFC free
Silicone rubber	gasket	Polyamide and Polypropylene	tap
Stainless steel	closures		

Model	Code	EAN code	Ext. dim.l (mm)	Int. dim. (mm)	Capacity (l)	Weight (kg)
QC20 grey/blue	QC200011	8022949021344	295x465xh460		19	7,6
QC20 blue	QC200001	8022949021498				
QC20 red	QC200007	8022949021306				

PRODUCT FEATURES

	<p>Space under the tap suitable for easily filling cups or bowls of maximum size diam. 160 mm; height 94 mm, or diam. 120mm; height 124 mm.</p>		<p>Version with extended nozzle kit for serving cups and glasses with a diameter greater than 160mm</p>
	<p>Version with plug kit for serving soups and sauces</p>		<p>Wide top opening for easy filling.</p>
	<p>Stainless steel locking hooks.</p>		<p>Adjustable vent valve.</p>
	<p>Monobloc structure, without edges, joints and welds.</p>		<p>Easily removable lid seal.</p>
	<p>Insulation with CFC and HCFC-free polyurethane foam.</p>	<p>°C</p>	<p>Container guaranteed for use: from -30°C to +85°C.</p>

TECHNICAL DATA (mm)



ACCESSORIES

Model	Code
Extended nozzle kit for serving mugs & cups of different sizes	RRI175
Plug kit for soups and sauces (2 pcs/kit)	RRI018