



## Insulated container for the transport and distribution of liquids at controlled temperature

- Brand: MELFORM
- Country of origin: ITALY
- Customs code: 39231090
- Compatible with food contact
- Color: grey/blue, red, blue
- Capacity: 10 liters.
- Technology: rotomoulding
- Warranty: 24 months
- Fully recyclable at the end of its operational life.
- Stackable and easy to handle

### MANUFACTURING MATERIALS

<b>Polyethylene</b>	inner and outer walls of the container and lid; suitable for food contact	<b>Polyurethane</b>	insulating material between the walls of the container and the lid; CFC and HCFC free
<b>Silicone rubber</b>	Gasket	<b>Polyamide and Polypropylene</b>	tap
<b>Stainless steel</b>	closures		

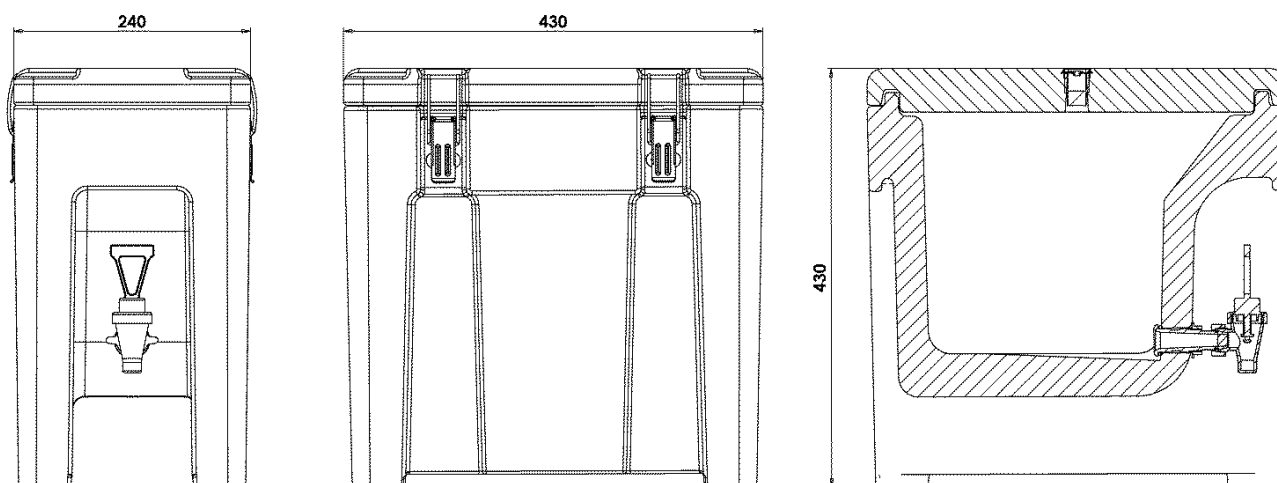
Model	Code	EAN code	Ext. dim. (mm)	Int. dim. (mm)	Capacity (l)	Weight (kg)
QC10 grey/blue	QC100011	8022949006259	240x430xh430		10	6,2
QC10 blue	QC100001	8022949006174				
QC10 red	QC100007	8022949006235				



## PRODUCT FEATURES

	<p>Space under the tap suitable to easily fill cups or bowls of maximum size diam. 110 mm; height 110 mm.</p>		<p>Version with extended nozzle kit for serving cups and glasses with a diameter greater than 120mm</p>
	<p>Version with plug kit for serving soups and sauces</p>		<p>Wide top opening for easy filling.</p>
	<p>Stainless steel locking hooks.</p>		<p>Adjustable vent valve.</p>
	<p>Monobloc structure, without edges, joints and welds.</p>		<p>Easily removable lid seal.</p>
	<p>Insulation with CFC and HCFC-free polyurethane foam.</p>	<p>°C</p>	<p>Container guaranteed for use: <b>from -30°C to +85°C.</b></p>

## TECHNICAL DATA (mm)



## ACCESSORIES

### Model

### Code

Extended nozzle kit for serving mugs & cups of different sizes.

RRI175

Plug kit for soups and sauces (2 pcs/kit)

RRI018