



Insulated container for the transport and distribution of liquids at controlled temperature






- Brand: MELFORM
- Country of origin: ITALY
- Customs code: 39231090
- Compatible with food contact
- Suitable for transporting and serving sauces and soups. The isothermal characteristics meet the criteria of the legislation in force (Reg. CE 852/2004 –HACCP-) and of the applicable technical standards (EN 12571 and Accord AFNOR AC D40-007).
- Color: grey/blue, red, blue
- Capacity: 13 liters.
- Technology: roto moulding
- Warranty: 24 months
- Fully recyclable at the end of its operational life.
- Stackable and easy to handle

MANUFACTURING MATERIALS

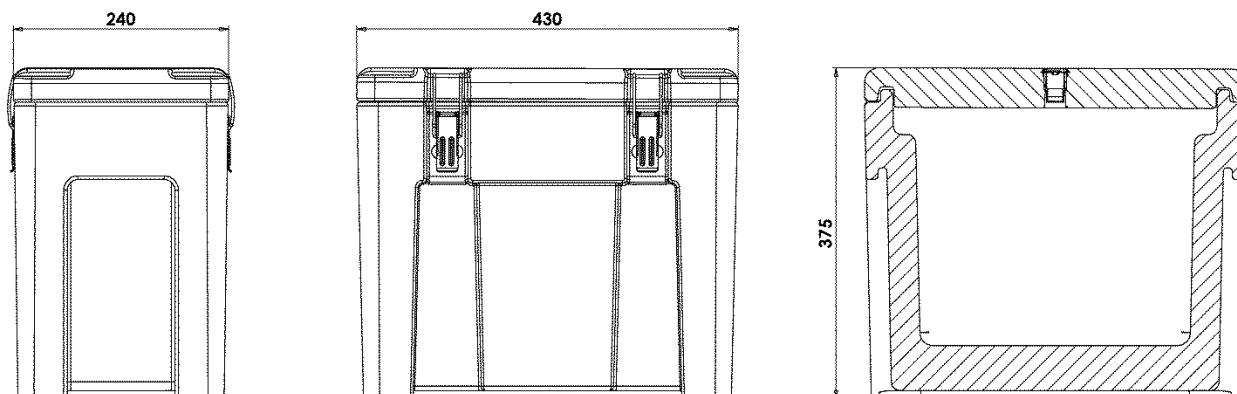
Polyethylene	inner and outer walls of the container and lid; suitable for food contact	Polyurethane	insulating material between the walls of the container and the lid; CFC and HCFC free
Silicone rubber	gasket	Stainless steel	closures

Model	Code	EAN code	External dimensions (mm)	Capacity (l)	Weight (Kg)
EY13 grey/blue	EY130006	8022949015688			
EY13 blue	EY130001	8022949020880	240x430xh375	13	5
EY13 red	EY130004	8022949020972			

PRODUCT FEATURES

	<p>Available, on request, inner container in PE.</p>		<p>Compatible with the use of stainless steel pans GN 1/3 h 200 mm.</p>
	<p>Cover sealing gasket easily removable.</p>		<p>Large upper opening for easy filling operations.</p>
	<p>Closing hooks in stainless steel.</p>		<p>Equipped with adjustable vent valve</p>
	<p>Monobloc structure, without edges, joints and welding.</p>		<p>Insulation with CFC- and HCFC-free polyurethane foam.</p>
<p>°C</p>	<p>Container granted for use: from -30°C to +85°C.</p>		

TECHNICAL DATA (mm)



ACCESSORIES

Model	Code	External dimensions (mm)	Capacity (l)
Inner container with lid	3850	GN 1/3 h 200 mm	10
Stainless steel pan with lid	ATA0001	GN 1/3 h 200 mm	10