



**GN 1/1**



## Insulated container with front opening for the transport of products at controlled temperature

- Brand: MELFORM
- Country of origin: ITALY
- Customs code: 39231090
- Compatible with food contact
- Color: grey/blue, red, blue
- Capacity: 68 liters.
- Technology: rotomoulding
- Warranty: 24 months
- Fully recyclable at the end of its operational life.
- Stackable and easy to handle

### MANUFACTURING MATERIALS

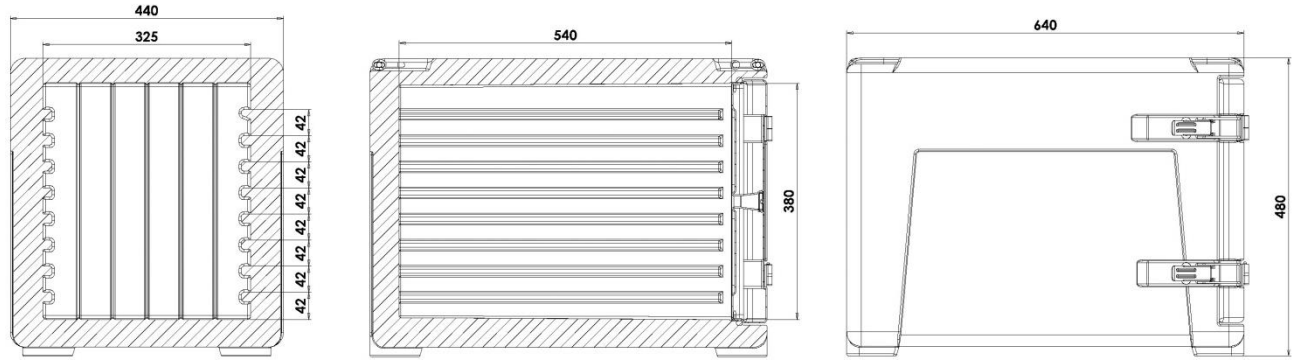
<b>Polyethylene</b>	inner and outer walls of the container and door; suitable for food contact	<b>Polyurethane</b>	insulating material between the walls of the container and the door; CFC and HCFC free
<b>Silicone rubber</b>	gasket	<b>Glass fiber reinforced polyamide</b>	Hinges
<b>Stainless steel</b>	grip handles, closures	<b>Acetal resin POM</b>	handle covers

Model	Codicand	EAN code	Ext. dim. (mm)	Int. dim. (mm)	Capacity (l)	Weight (Kg)
AF8 grey/blue	AF080006	8022949008260	440x640xh480	325x540xh380	68	11
AF8 blue	AF080001	8022949008215				
AF8 red	AF080004	8022949008246				

**PRODUCT FEATURES**

	<p>Equipped with 8 guides at constant pitch (42 mm; see dimensional diagram).</p>		<p>It can carry:</p> <ul style="list-style-type: none"> <li>• 4 GN 1/1 h65;</li> <li>• 2 GN 1/1 h150;</li> <li>• 1 GN 1/1 h 65 + 2 GN 1/1 h 100;</li> <li>• 1 GN 1/1 h 100 + 1 GN 1 /1 h 200;</li> </ul>
	<p>Equipped with opening door up to 240° and easily removable, to facilitate washing operations.</p>		<p>Eutectic plates:</p> <ul style="list-style-type: none"> <li>• warm (red)</li> <li>• fresh (pink)</li> <li>• frozen (blue)</li> <li>• frozen plus (green)</li> </ul> <p>to increase maintenance performance thermal over time</p>
	<p>Stainless steel grip handles with handle cover.</p>		<p>Adjustable vent valve.</p>
	<p>Easily dismantled door sealing gasket.</p>		<p>Stainless steel closing hooks.</p>
	<p>Equipped with hinges in shockproof material and resistant to stress.</p>		<p>Smartdolly trolley:</p> <ul style="list-style-type: none"> <li>•capacity 150 Kg;</li> <li>•4 non-marking rubber wheels and PP core;</li> <li>•diam wheels: 100 mm;</li> <li>•2 fixed wheels;</li> <li>•2 swivel wheels.</li> </ul> <p>Available with chromed, stainless-steel or without handle</p>
	<p>Monobloc structure, without edges, joints and welding.</p>		<p>Insulation with CFC and HCFC-free polyurethane foam.</p>
	<p>Available (on request) USB datalogger to record temperature during transport.</p>	<p>°C</p>	<p>Container granted for use <b>from -30°C to +100°C.</b></p>

## TECHNICAL DATA (mm)



## ACCESSORIES

Model	Code	Color	Ext. dim. (mm)	Weight (Kg)
Eutectic plate <b>Hot</b> +70°C	PEGS0003	red	GN 1/1	3
Eutectic plate <b>Fresh</b> +3°C	PEGS0001	rose	GN 1/1	4
Eutectic plate <b>Frozen</b> -21°C	PEGS0002	blue	GN 1/1	4
Eutectic plate <b>Frozen plus</b> -21°C	PEGS9008	green	GN 1/1	4
Stainless steel grid	AEA020	stainless steel	GN 1/1	1,3
Smartdolly handling trolley <b>chrome handle</b>	MAXI0019	grey/blue	525x750xh965	9,5
Smartdolly handling trolley <b>stainless steel handle</b>	MAXI0018	grey/blue	525x750xh965	9,5
Smartdolly handling trolley <b>without handle</b>	MAXI9007	grey/blue	525x750xh210	7,1
USB Data logger -30°C +70°C	AFG007		80x33xh14	