



GN 1/1

EN

600x400

ATP



## Insulated container with front opening for the transport of temperature-controlled products

- Brand: MELFORM
- Country of origin: ITALY
- Customs code: 39231090
- ATP Certificate
- Compatible with food contact
- Color: melange grey/blue
- Capacity: 148 liters.
- Technology: rotomoulding
- Warranty: 24 months
- Fully recyclable at the end of its operational life.
- Stackable and easy to move

### MANUFACTURING MATERIALS

<b>Polyethylene</b>	inner and outer walls of the container and door; suitable for food contact	<b>Polyurethane</b>	insulating material between the walls of the container and the door; CFC and HCFC free
<b>Silicone rubber</b>	gasket	<b>Glass fiber reinforced polyamide</b>	zippers, closure
<b>Stainless steel</b>	gripping handles		

Model	Code	EAN code	Ext. dim. (mm)	Int. dim. (mm)	Capacity (l)	Weight (kg)
AF 150 without seat for eutectic plate	A1500012	8022949026530	570x790xh690	430x650xh530	148	25
AF 150 with seat for eutectic plate	A1509022	8022949056759	570x790xh690	430x650xh490	148	25,5

## PRODUCT FEATURES

Thanks to the GN adaptors (RRI237), it is possible to create a maximum of 9 shelves with 50 mm pitch for the transport of GN pans, EN trays, pastry trays 600 x 400 mm

	Versione with eutectic plate seat		Version with 1 set of GN adaptors and 2 pairs of guides.
	Polyethylene trolley, capacity 200 Kg equipped with 4 swivel wheels, including 2 with brake, diam. 125mm		Stainless steel locking kit to fix two stacked containers.
	Closing hooks in shockproof material.		Equipped with vent valve adjustable.
	Version with heating door for transport in hot bond. <ul style="list-style-type: none"> <li>• 200W power;</li> <li>• cable 240V I=1.8;</li> <li>• IPX4;</li> <li>• heating unit with stainless steel interior;</li> <li>• in analog or digital version.</li> </ul>		Eutectic plates hot, fresh, super fresh, frozen, frozen plus to increase thermal maintenance performance over time.
	Hinges in shockproof and stress-resistant material.		Equipped with integrated stainless steel handles
	Stainless steel grid GN1/1 (AEA020)		Self-supporting grid stainless steel (AEA012)
	USB datalogger to record temperature during transport.		RFID systems for traceability

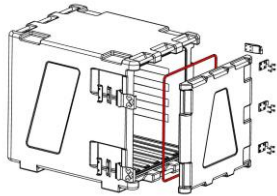
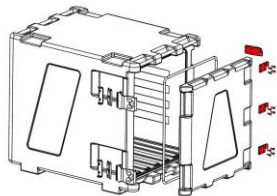
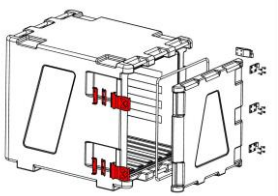
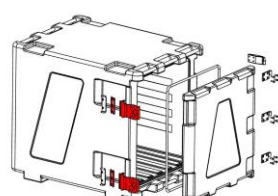
Overall heat transfer coefficient: **K=0.44 W/m<sup>2</sup>K**

Container (isothermal case) guaranteed for use: **from -30°C to +100°C.**

## ACCESSORIES

Model	Code	Color	External dimensions (mm)	Internal dimensions (mm)	Weight (kg)
Set of GN adaptors	RRI237				3,5
Stainless steel grid <b>GN 1/1</b>	AEA020		530x325xh12		1,3
Self supporting stainless steel grid	AEA012		430x630xh262		3
Hot plate <b>GN 1/1</b>	PEGS0003	red	530x325xh30		3
Fresh plate <b>GN 1/1</b>	PEGS0001	rose	530x325xh30		4
Super fresh plate <b>GN 1/1</b>	PEGS9001	sand	530x325xh30		4
Frozen plate <b>GN 1/1</b>	PEGS0002	blue	530x325xh30		4
Frozen plus plate <b>GN 1/1</b>	PEGS9008	green	530x325xh30		4
Fixing kit for modular system	RRI139				1,2
Fixing kit on vehicle	RRI144				
Trolley AF150 <b>polyethylene</b>	THS30006		625x845xh210		7
Card holder	AMC106		(242xh157)	148xh210 - A5-	
Data logger <b>USB</b>	AFG007		80x33xh14		

## SPARE PARTS

			
<b>RRI027</b>	<b>RRI113</b>	<b>RRI112</b>	<b>RRI004</b>
Gasket kit 5 pieces per package	Complete hinge kit 2 pieces per package	Complete closure kit 4 pieces per package	Closure kit (closure only) 4 pieces per package